



BOLLFILTER

Pressure Filter

Industry & Environment

DOCUMENTATION PARTS LIST

Date 06.04.05
Page 1

Document 110185
 Description duplex filter
 Auftragsartikelnr.:3822086/1
 BFD 180 580 80 08 GGG Lub

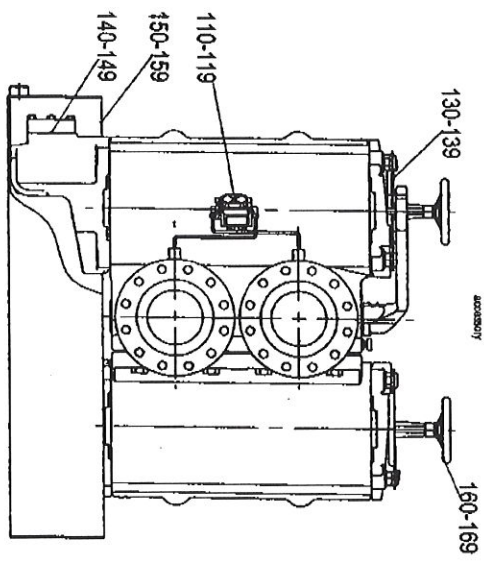
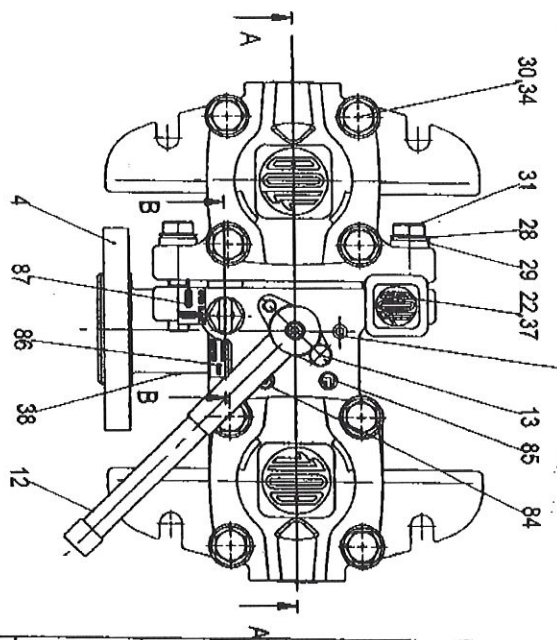
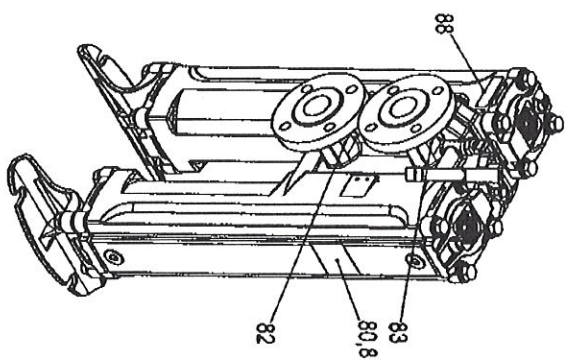
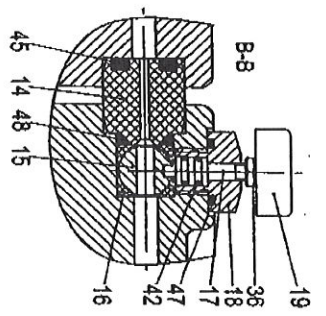
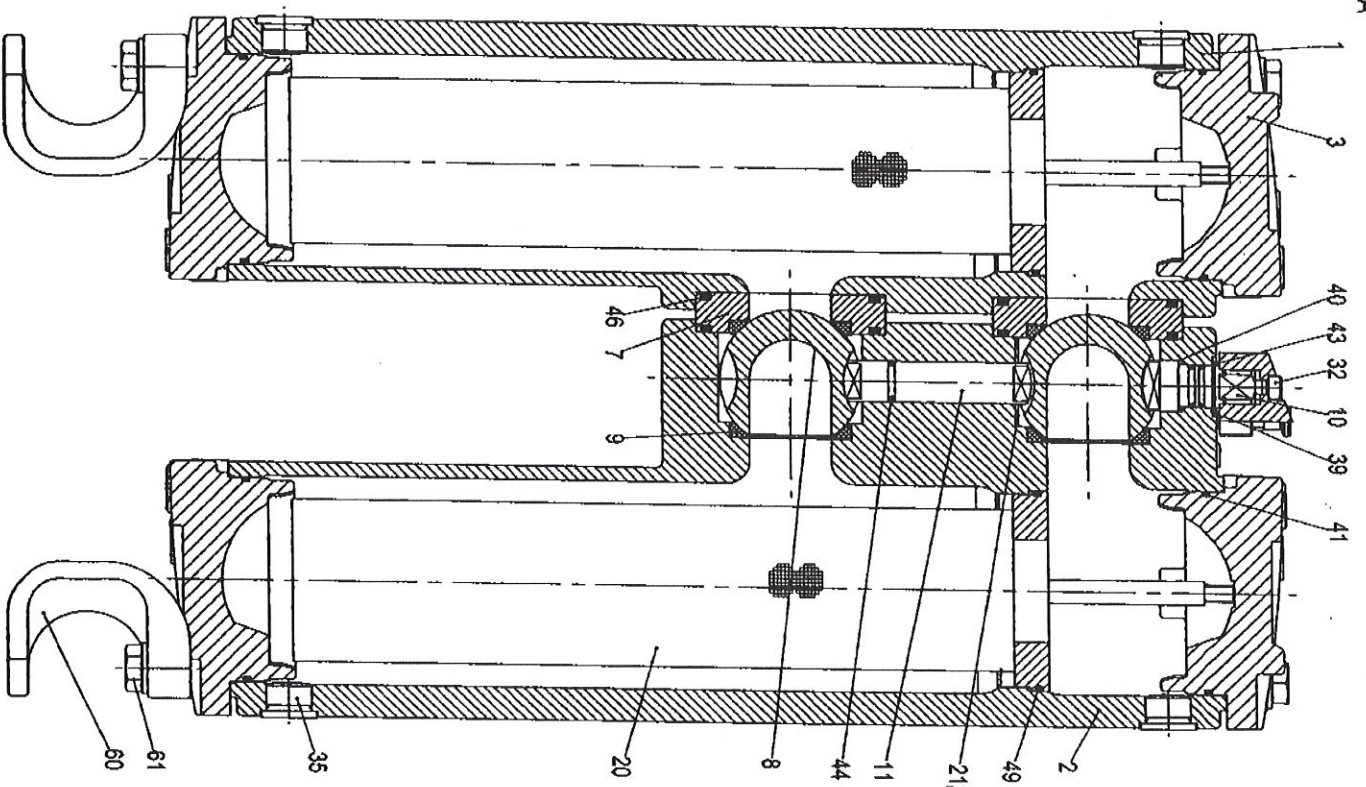
Material EN-JS1020
 EN-GJS-400-18
 EN 1563 / SA-395

Assembly Z101523
 Dimension drawing Z104846

design code: AD-2000
 design pressure: 40 bar
 design temperature: 120°C

Item	ID no.	Description	Qty	Unit
00001	6130112	housing	1	pcs.
00002	6130113	housing	1	pcs.
00003	6134020	cover	2	pcs.
00004	5000212	threaded flange	2	pcs.
00007	5005600	ring	2	pcs.
00008	5455499	ball	2	pcs.
00009	3521973	ball gasket	4	pcs.
00010	5405678	selector shaft	1	pcs.
00011	5400339	countershaft	1	pcs.
00012	6858540	lever	1	pcs.
00013	2315672	index bolt	1	pcs.
00014	5003452	ring	1	pcs.
00015	2701806	ball	1	pcs.
		pressure compensation		
00016	3524235	ball gasket	2	pcs.
00017	5404237	selector shaft	1	pcs.
00018	5006728	bushing	1	pcs.
00019	2116153	wing nut	1	pcs.
00020	1140073	Basket Filter Element	2	pcs.
00020	5810002	Anchor Bolt	2	pcs.
00021	6914112	Limiting Sheet	1	pcs.
00022	2008513	stud bolt	1	pcs.
00028	2205712	spherical disc	8	pcs.
00029	2208927	conical socket	8	pcs.
00030	2005973	hexagon screw	8	pcs.
00031	2002330	hexagon-head screw	8	pcs.
00032	2010310	hexagon socket head cap screw	1	pcs.
00034	2200010	disc	16	pcs.
00035	2508549	screwing	4	pcs.
00036	2100020	Hexagon Nut	1	pcs.
00037	2300046	Star grasping	1	pcs.
00039	2203318	locking ring	1	pcs.
00040	3328072	flat gasket	1	pcs.
00080	9800203	type plate	1	pcs.
00081	2310069	half-round groove pin	4	pcs.
00082	9800300	label: "inlet"	1	pcs.
00083	9800301	label: "outlet"	1	pcs.
00084	9800028	label: "direction of flow"	1	pcs.
00085	9800029	label: "direction of flow"	1	pcs.
00086	9800027	label "screen 3mm"	1	pcs.
00087	9800026	label: "valve open / closed"	1	pcs.
00088	9800025	label: "pressure compensation line"	1	pcs.
00113	0550024	Pressure Diff. Contact Indicator	1	pcs.
Wahl	0200032	components for dda acc. to order	1	pcs.
Wahl	0200137	without heating	1	pcs.
Wahl	3630025	Gasket Set	1	pcs.

AA



Zubehör
accessory

Anzugsdrehmomente für Deckel- und
Gehäuse-Schraubverbindungen (Pos.30,31)
tightening torque for cover- and casing screw connection

BFD	Deckel / case	Werkstoff / material
22	Alu	Alu
23	St	St
24	St	St
25	St	St
26	St	St
27	St	St
28	St	St
29	St	St
30	St	St
31	St	St
32	St	St
33	St	St
34	St	St
35	St	St
36	St	St
37	St	St
38	St	St
39	St	St
40	St	St
41	St	St
42	St	St
43	St	St
44	St	St
45	St	St
46	St	St
47	St	St
48	St	St
49	St	St
50	St	St
51	St	St
52	St	St
53	St	St
54	St	St
55	St	St
56	St	St
57	St	St
58	St	St
59	St	St
60	St	St
61	St	St

Doppelfilter / duplex filter Typ BFD Z101523	
Technische Zeichnung / Technical Drawing Blatt 1 von 1 / Sheet 1 of 1 Datum / Date: 10.10.2011 Zeichner / Drafter: ... Gezeichnet / Drawn: ... Geprüft / Checked: ... Freigegeben / Released: ... Maßstab / Scale: 1:1 Projekt / Project: ... Auftrag / Order: ... Kunden / Customer: ...	