

KEYENCE

NEW Multi-Purpose CCD Laser Micrometer

IG Series



**A Wide Variety of Application Modes
for Easy, High-Accuracy Measurements**



LASER EDGE SENSOR

Intelligent Sensor
I-SERIES



Low-cost
High
Performance

Thrubeam Digital Laser Sensor with the Highest Level of Stability



REPEATABILITY OF 5 μm 0.20 Mil

LINEARITY OF $\pm 0.1\%$ (IG-028)

The sensor provides a high level of stability with its multi-wavelength laser and parallel computing chip.

WIDE VARIETY OF APPLICATION MODES

- Edge control mode
- Outer diameter measurement mode
- Inner diameter/Gap measurement mode
- Edge detection of transparent targets



POSITION MONITOR

Measurements are performed with up to 28,000 optical axes (IG-028), each of which monitors the amount of light received.



Large Distance between the Transmitter and Receiver

IG-028: Max. 1500 mm **59.06"** IG-010: Max. 1000 mm **39.37"**

L-CCD* Light-Receiving Element

The sensor recognizes the position of a target and is less sensitive to its environment, making it possible to achieve stable target measurement.

* L-CCD : Linearized-Charge Coupled Device



IP67 Protection

The enclosure is resistant to harsh environments and offers long-term durability.

Display Unit Options

There are two types of display units: panel mount and DIN-rail mount. When a display unit is connected to a communication unit, measurement data can be sent to external devices such as a PLC.



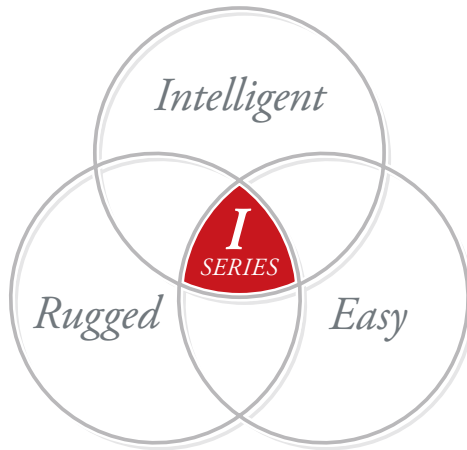
Panel mount type
IG-1500/1550



DIN-rail mount type
IG-1000/1050

I-*Intelligent Sensor* SERIES

THREE CONCEPTS



Intelligent

High accuracy was achieved by using the technology and functions developed for high-accuracy measuring instruments.

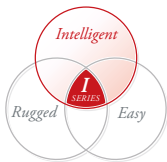
Rugged

Developed for use in harsh environments, the IG Series was designed with a strong structure.

Easy

Excellent usability makes it possible to quickly and easily perform stable measurements without any difficult adjustments and settings.

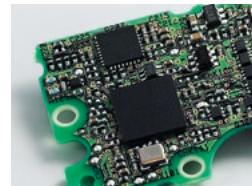
The intelligent I-Series consists of a high-accuracy sensor lineup that realizes low-cost high performance with only the most advanced functions for on-site operations.



High stability and measurement accuracy are achieved with the newly developed optical system


Multi-Wavelength Laser + I-DSP

With conventional lasers, the transmission spot produces a patchy pattern (as shown in the figure to the right). This is a laser-specific interference problem caused by the laser having a single wavelength. The IG Series sensor overcomes this problem by using a multi-wavelength laser. Because shadows are formed on the CCD more clearly, the sensor remains highly stable, even with targets that are conventionally difficult to detect (e.g. transparent objects). With the I-DSP (a parallel computing chip) incorporated in the receiver, the sensor can perform data processing at high speed, reducing noise to a minimum.



SPOT IMAGE


Single-wavelength laser (conventional laser sensor)



A patchy pattern appears.

▼

Multi-wavelength laser (IG)



Due to the multi-wavelength laser used, the beam pattern has a more uniform intensity distribution.

Best in its class

Repeatability of 5 μ m **0.20 Mil**

STABLE DETECTION OF TRANSPARENT & MESH TARGETS

The L-CCD makes it possible to detect a target based on its position. Edge control and positioning of transparent and mesh targets can be performed stably.

Best in its class

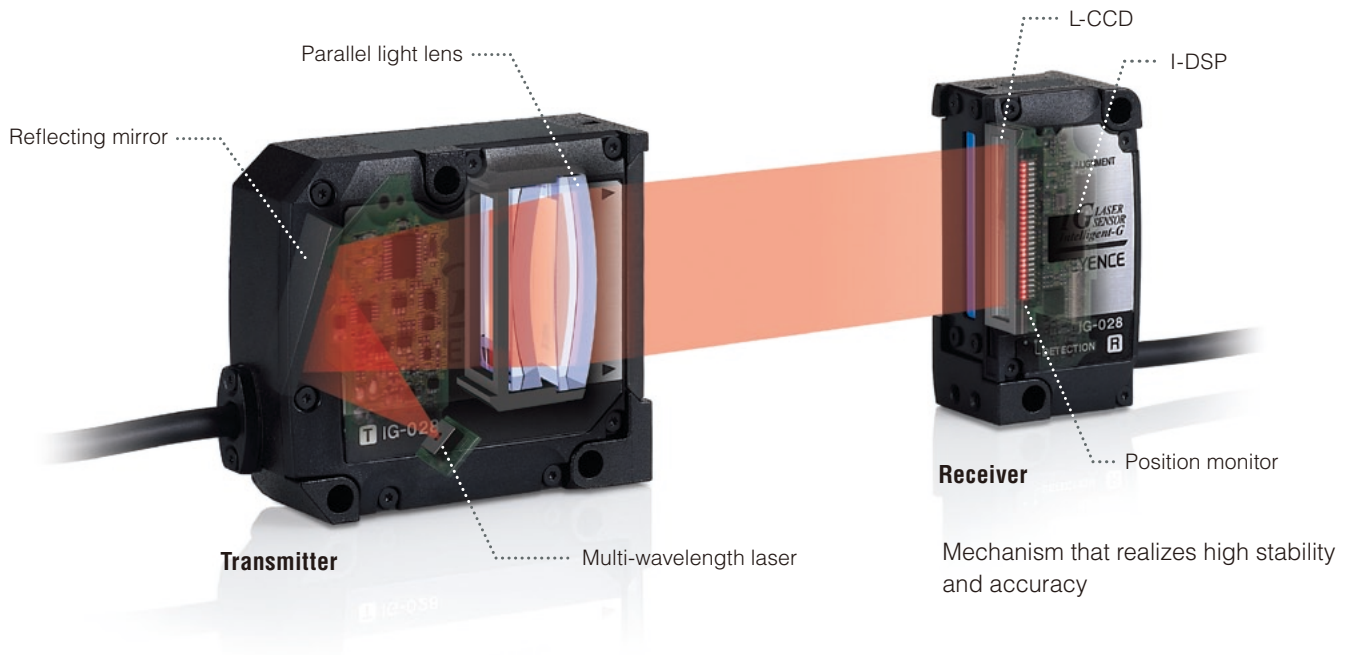
Linearity of $\pm 0.1\%$



Transparent target

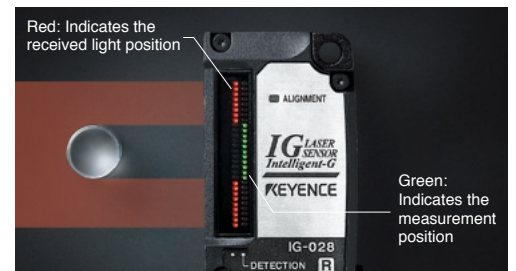


Mesh target



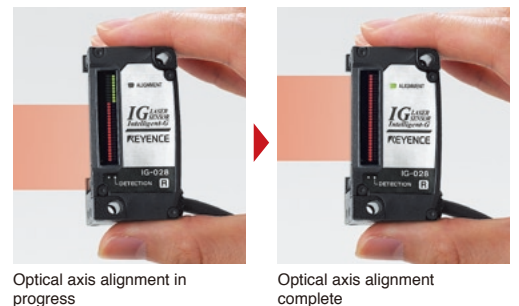
Extremely easy to use due to the built-in position monitor Determining the Part of a Target to be Measured

The position monitor on the IG Series sensors makes it possible to visually check how a target is detected. The user can prevent mounting or setting errors by observing the red lights that indicate the received light position and the green lights that indicate the measurement position.



Easier Optical Axis Alignment

The position monitor makes it easier to align the optical axis. Easily perform optical axis alignment by adjusting the sensor head so that all of the position monitor lights turn red.

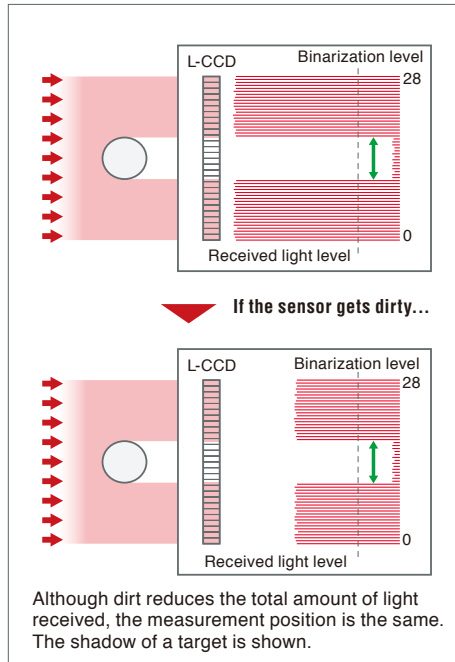


FUNCTION AND STRUCTURE THAT MATCHES THE ON-SITE ENVIRONMENT



Easy to maintain thanks to excellent environment resistance

Key Point: Less Sensitive to Dirt



Because it uses an L-CCD, the IG Series is less sensitive to materials such as dirt than a sensor that uses a photodiode (PD) as the light-receiving element.

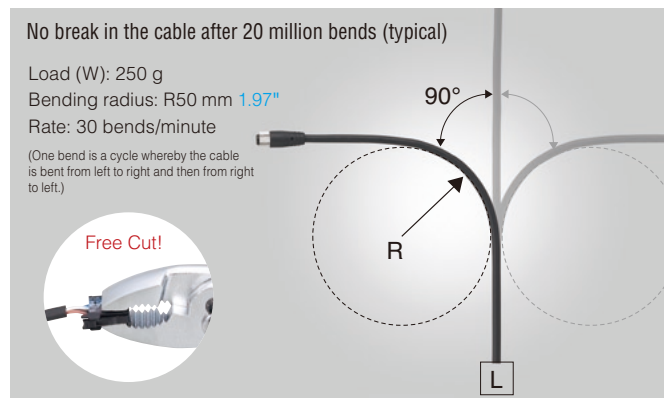
IP67 Protection

The enclosure satisfies the IP67 rating based on the IEC standards and remains watertight even after being held at a depth of one meter for 30 minutes. The enclosure is resistant to adverse environments and offers long-term durability.



Flexible Free-Cut Cable

The sensor head cable is a robot cable that withstands repeated bending. The cable can be used safely in a position requiring repeated motion.



Edge Check Function

The user can check whether a measurement is performed correctly by verifying the number of edges in the field of view.

Example

- Prevent dust or oil from adhering to the measurement unit, which can cause an abnormal measurement value.
- Detect the intrusion of a different type of target.
- Check that a measurement target falls within the measurement range.

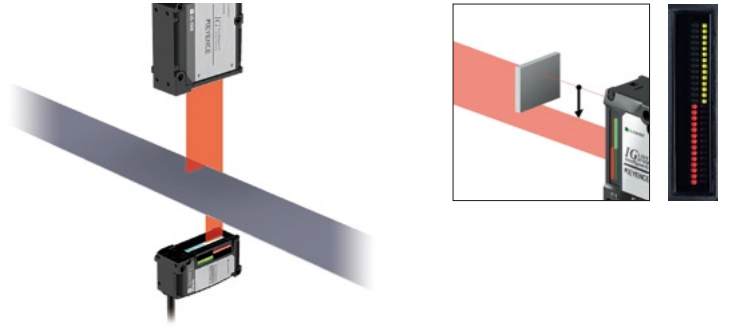
EASY SETTING WITH THE APPLICATION MODES

Three major application modes

The measurement area is automatically specified simply by selecting the mode.

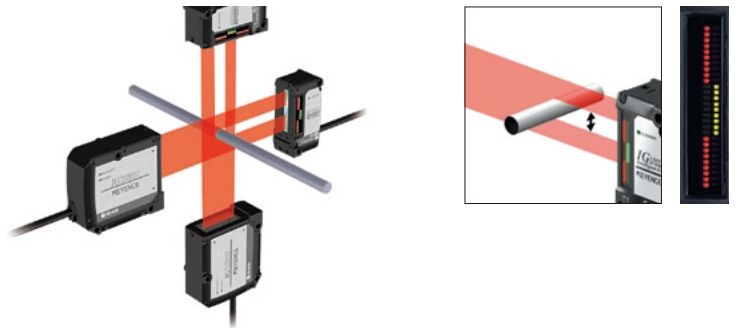
Edge Control and Positioning Mode

The distance from the end of the measurement range to the edge of a target is measured.



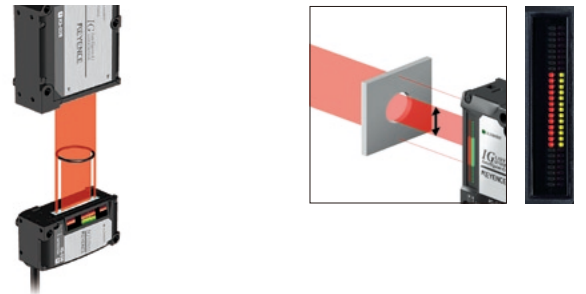
Outer Diameter/Width Measurement Mode

The outer diameter or width of a target is measured.



Inner Diameter/Gap Measurement Mode

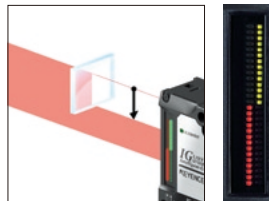
The inner diameter of a target or a gap between targets is measured.



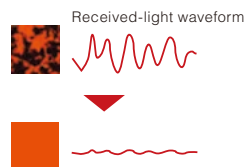
Five dedicated modes can be selected according to the application

Edge Detection of Transparent Targets

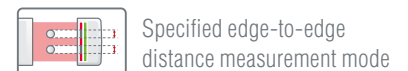
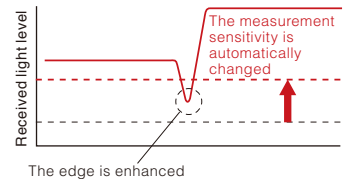
The edges of transparent objects such as glass have low transparency which decreases the amount of light received. The IG Series detects edges exploiting this nature and automatically changes a measurement sensitivity appropriately to detect a transparent target.



Very parallel light + multi-wavelength

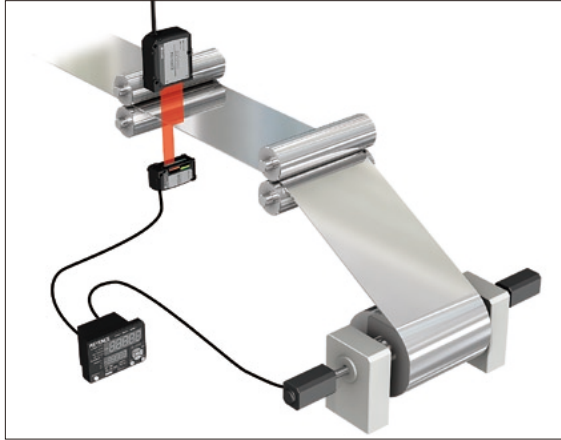


Edge detection algorithm + glass edge mode



BUILT-IN CALCULATION FUNCTIONS ALLOW FOR AN EVEN WIDER VARIETY OF APPLICATIONS

Edge Control and Positioning Mode + Control output

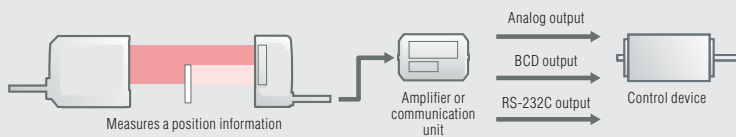


Feedback control using edge position control



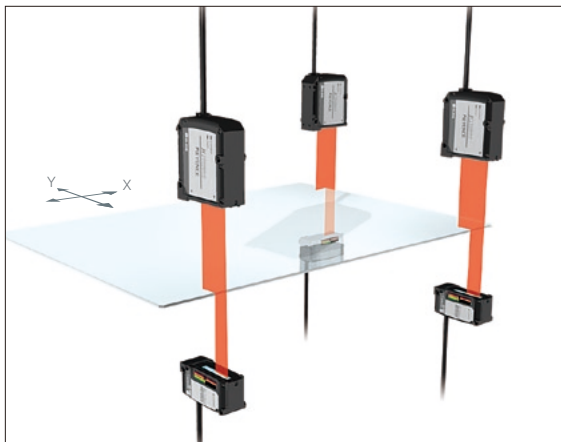
Positioning control of the θ angle of a wafer

Easy control when used with a servomotor (example)

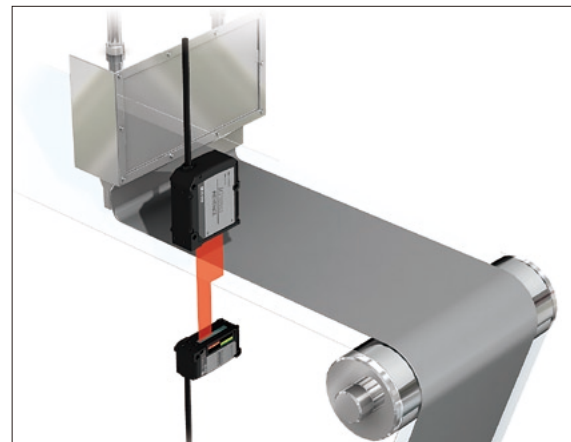


Outputs the edge position information to a control device. It is possible to send the information via an analog output, BCD output, or RS-232C output according to the type of the control device instead of using a PLC.

Glass Edge Mode + Calculation function

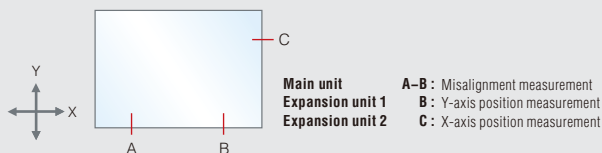


Positioning of a glass substrate



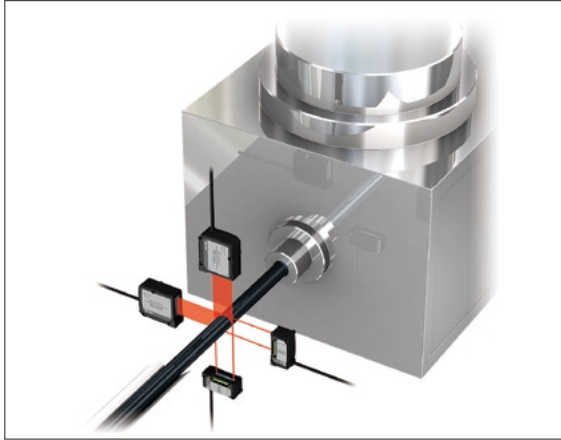
Edge control of a transparent sheet

Easy measurement with the calculation function

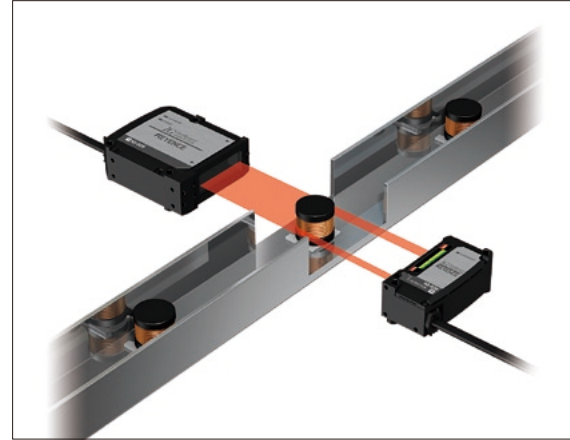


The main unit of the amplifier can communicate with the expansion units. When positioning an object such as a panel, it is possible to calculate a misalignment amount by calculating the data obtained by two sensor heads.

Outer Diameter/Width Measurement Mode + Calculation function



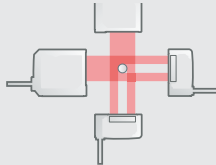
Outer diameter/deformation measurement an extrudate



Outer diameter measurement of a part

Easy measurement with the calculation function

A-B: Deformation measurement
B: Outer diameter measurement



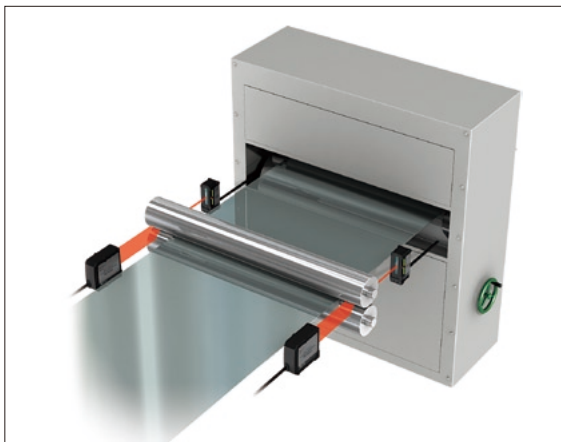
A-B=0



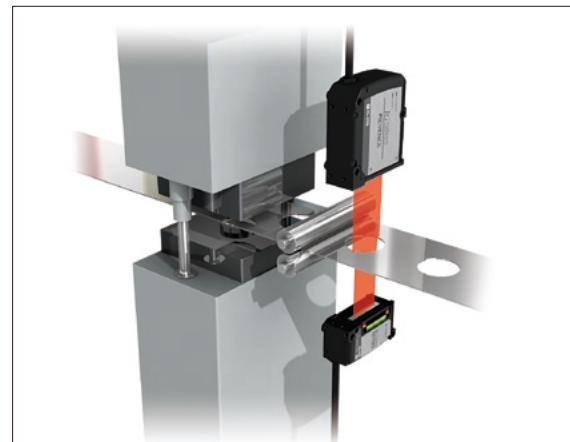
A-B≠0

Abnormal diameters and deformations can be detected in real time by measuring a tube at two axes. The 980 μs high-speed sampling detects even tiny abnormalities.

Inner Diameter/Gap Measurement Mode + Calculation function

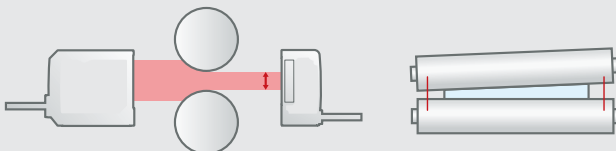


Gap measurement between rollers



Diameter check of press cutting

Easy measurement with the calculation function



The thickness of a product can be controlled by measuring the gaps of the two sides between the rollers.

EVEN MORE USEFUL WHEN CONNECTED TO A PC

The configuration software, IG Configurator, allows for a wide range of settings to be made including the monitoring of the waveforms of received light and the measurement modes.

Reading and Writing Settings

The user can enter all settings including the measurement modes into a PC and then transfer them to the sensor. The management of setting data is simple and very convenient when two or more sensors are used.

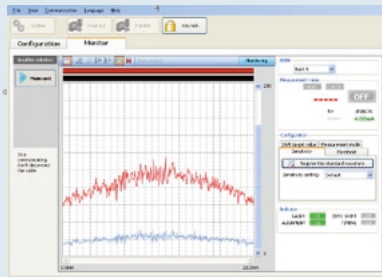


RS-232C communication unit
DL-RS1A * 1

*1 DL-RS1A units purchased before July 14, 2009 cannot be used. For details, contact your nearest KEYENCE sales office.

Monitoring Function

Measurement conditions such as the waveforms of received light can be displayed in real time. The mounting and sensitivity settings can also be adjusted more precisely.



Calculation Function

Addition mode (if a measurement target is large)

SETTING EXAMPLE 1
(length)



SETTING EXAMPLE 2
(width)

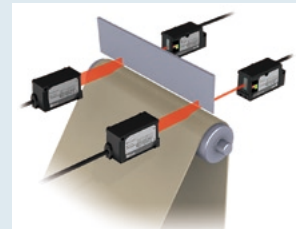


Subtraction mode (to measure the difference in level or inclination)

SETTING EXAMPLE 1
(inclination)

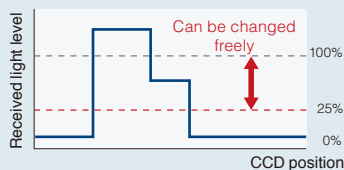


SETTING EXAMPLE 2
(difference in thickness)



Sensitivity Setting

The set value used to judge whether light enters or is blocked, based on the amount of light received by the CCD, is called the binarization level. The amount of light received when the reference waveform is registered is regarded as the 100% level. The light is judged to be blocked if the amount of light is less than the specified binarization level. The IG Series initially sets a binarization level of 25% and the user can change the level according to the application.



Zero Shift Function

This function shifts an internal measurement value to 0 (to offset the value). When the target value is changed, this function can be used to shift an internal measurement value to the new target value.

DATA COMMUNICATION

Amplifier Function

NPN/PNP Output Selection (judgment selection)

Both NPN and PNP outputs are supported. The outputs are set the first time the user turns on the power. These settings can subsequently be changed. Judgments are output as HIGH, GO, or LOW.

Analog Output Selection

The following four types of analog outputs can be selected. The output is selected the first time the user turns on the power.

Setting value	Description
OFF	Not output
0-5V	Analog output after the judgement value is converted to the range from 0 to 5 V.
-5-5V	Analog output after the judgement value is converted to the range of ± 5 V.
1-5V	Analog output after the judgement value is converted to the range from 1 to 5 V.
4-20mA	Analog output after the judgement value is converted to the range from 4 to 20 mA.

The setting can be changed.

Bank Function

The bank function can register up to four patterns of specific settings.* For example, in response to a measurement target changeover, this function allows the user to easily switch between the patterns of registered settings.

* HIGH setting value, LOW setting value, binarization level, shift target value, etc.



Communication Unit

DL-RB1A BCD output unit

Use this unit when retrieving numerical data from the IG Series to an external device as digital data. A single communication unit can retrieve data from up to four IG Series display units in BCD.



DL-RS1A RS-232C communication unit

Use this unit when outputting digital data to an external device with RS-232C signals. It is necessary to connect it to a PC when using the startup support software, IG Configurator. A single communication unit can retrieve data from up to four IG Series display units.



Lineup

Sensor heads

IG-010



Measurement range 10 mm 0.39"
Mounting distance 0 to 1000 mm 39.37"
Repetition accuracy 5 μm 0.20 Mil^{*1}
 (Setting distance: 100 mm 3.94")
Linearity $\pm 28 \mu\text{m}$ ± 1.10 Mil^{*1}

IG-028



Measurement range 28 mm 1.10"
Mounting distance 0 to 1500 mm 59.06"
Repetition accuracy 5 μm 0.20 Mil^{*1}
 (Setting distance: 100 mm 3.94")
Linearity $\pm 28 \mu\text{m}$ ± 1.10 Mil^{*1}

*1 For the detailed conditions, refer to "Specifications" (page 12).

Display units (amplifiers)

DIN rail mount type

IG-1000
Main unit



IG-1050
Expansion unit



Panel mount type


IG-1500
Main unit



IG-1550
Expansion unit



Sensor head cables

Appearance	Cable length	Model	Weight
1 cable included 	2 m 6.56 ^{*2}	OP-87056	Approx. 80 g
	5 m 16.40'	OP-87057	Approx. 190 g
	10 m 32.80'	OP-87058	Approx. 360 g
	20m 65.62'	OP-87059	Approx. 680 g

The cable is common to the transmitter and receiver, and can be used with either of them.




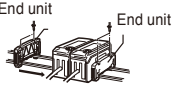




*2 Two cables are included with a sensor head.

This connector is required if the cable is cut.



Connector used to connect to a display unit (2 pcs.)
OP-84338

Optional



	Type	Model	Appearance	Description	Weight
PC software ^{*1}	IG Configurator	IG-H1		–	Approx. 80 g
Sensor head mounting brackets ^{*2}	For IG-010	IG-TB01		–	Approx. 50 g
	For IG-028	IG-TB02		–	Approx. 40 g
Optional accessories for the display unit	End unit (Optional)	OP-26751		To connect an additional expansion unit, use the end units to secure the display units on both ends. When connecting additional units, be sure to use the end units. (2 pcs.)	 Approx. 15 g
	Panel front protection cover [Included in panel mount type amplifier]	OP-87076		The panel front protection cover and panel mounting bracket are included in the panel mount type amplifier. If the supplied cover or bracket is lost or damaged, purchase a new one.	Approx. 6 g
	Panel mounting bracket [Included in panel mount type amplifier]	OP-4122			Approx. 7 g
Optional accessories for the communication unit	Expansion cable: 300 mm 11.81"	OP-35361		Extension cable used for panel mount type amplifier. Use this cable if the standard 50 mm 1.97" cable is not long enough.	Approx. 10 g
	DIN-rail mounting bracket	OP-60412		Although the DL Series is designed for the DIN-rail mount type only, the optional expansion cable (OP-35361, 300 mm 11.81") enables communication with the panel mount type display unit.	Approx. 12 g

*1 The DL-RS1A communication unit is required.

*2 The screws for connecting the sensor head and bracket are included.

Specifications

Sensor heads

Model	IG-010		IG-028	
Appearance				
Operation principle	CCD method			
Light source	Visible light semiconductor laser (Wavelength:660 nm)			
	FDA (CDRH) Part 1040.10		Class 1**	
	IEC60825-1		Class 1	
Mounting distance	0 to 1000 mm 39.37"		0 to 1500 mm 59.06"	
Measurement range	10 mm 0.39"		28 mm 1.10"	
Sampling cycle	980µs (When the number of times for averaging is set to [hsp]: 490µs)			
Minimum detectable object **	ø0.1 mm ø0.003" (Setting distance: 100 mm 3.94")			
	High sensitivity mode	ø0.2 mm ø0.007" (Setting distance: 40 mm 1.57" or less), ø0.5 mm ø0.02" (Setting distance: 500 mm 19.68")		ø0.2 mm ø0.007" (Setting distance: 50mm 1.97" or less), ø0.5 mm ø0.02" (Setting distance: 500 mm 19.68")
Repeatability **3	5 µm 0.20 Mil (Setting distance: 100 mm 3.94")		5 µm 0.20 Mil (Setting distance: 100 mm 3.94")	
	10 µm 0.39 Mil (Setting distance: 500 mm 19.68")		10 µm 0.39 Mil (Setting distance: 500 mm 19.68")	
	80 µm 3.15 Mil (Setting distance: 1000 mm 39.37")		80 µm 3.15 Mil (Setting distance: 1000 mm 39.37")	
	140 µm 5.51 Mil (Setting distance: 1500 mm 59.06")		140 µm 5.51 Mil (Setting distance: 1500 mm 59.06")	
Linearity **4	±0.3 % of F.S. (±28 µm ±1.10 Mil)		±0.1 % of F.S. (±28 µm ±1.10 Mil)	
Temperature characteristics **5	±0.03 % of F.S./°C (±3 µm ±0.12 Mil/°C)		±0.01 % of F.S./°C (±3 µm ±0.12 Mil/°C)	
Operation indicator	Transmitter	Optical axis alignment indicator: Green LED Power indicator: Green LED		
	Receiver	Optical axis alignment indicator: Green LED Position monitor: Dual bar LED (Red, Green)		
Environment resistance	Enclosure rating	IP67		
	Ambient temperature	-10 to +45°C 14 to 113°F (No freezing)		
	Ambient humidity	35 to 85% RH (No condensation)		
	Ambient light **6	Incandescent lamp: 5000 lux Sunlight: 5000 lux		
Vibration resistance	10 to 55 Hz Double amplitude 1.5 mm 0.06" XYZ each axis: 2 hours			
Material	Case	Zinc die-cast (Lower case), PBT (Upper case), Polyarylate (PAR) (Display part), SUS304 (Metallic part)		
	Lens cover	Glass		
	Cable	PVC		
Supplied item	Transmitter × 1, Receiver × 1, Sensor head cables (2 m 0.08") × 2			
Weight (including supplied items)	Approx. 380 g		Approx. 500 g	

*1 The classification for FDA (CDRH) is implemented based on IEC60825-1 in accordance with the requirements of Laser Notice No.50.

*2 When the measurement target object is measured at the center position of the setting distance.

*3 When the measurement mode is set to the glass edge mode, a glass edge of C0.1 mm 0.003" or more can be detected (Setting distance: 500 mm 19.69").





*4 When the light is shielded by half at the center position of the setting distance. Vibration width when the average number of times is set to 16 and sampling is performed for 30 seconds.

(When the analog output is used, the margin of error of analog output is added.)

*5 When the setting distance is 100 mm 3.94" and light is shielded at 50 mm 1.96" position from the receiver. Margin of error to the ideal line.

*6 Excluding when the average number of times is set to [hsp].

Display unit (amplifier)



Model		IG-1000	IG-1050	IG-1500	IG-1550	
Appearance						
Amplifier type		DIN rail mount		Panel mount		
Main unit/Expansion unit		Main unit	Expansion unit	Main unit	Expansion unit	
Analog output		Yes	No	Yes	No	
Power supply voltage		10-30 VDC, Ripple (P-P): 10% included, Class 2				
Power consumption (including analog current output)	Normal	2700 mW or less (at 30 V: 90 mA or less)		2880 mW or less (at 30 V: 96 mA or less)		
	Power saving function (HALF)	2300 mW (at 30 V: 77 mA or less)				
	Power saving function (ALL)	2200 mW (at 30 V: 74 mA or less)				
Digital display method		Dual 7-seg display Upper level: Red, 5 digits Lower level: Green, 5 digits		Dual 7-seg display Upper level: Red/Green, 2 colors, 5 digits Lower level: Green, 5 digits		
Display range		-99.999 to +99.999, -99.99 to +99.99, -99.9 to +99.9, -99 to +99 (selectable)				
Display resolution		1 μm 0.04 Mil, 10 μm 0.39Mil, 100 μm 3.94 Mil, 1000 μm 39.37 Mil (selectable)				
Output	Judgement output (selectable between NPN and PNP)	NPN (PNP) open collector x3ch, 30 VDC (Power supply voltage) or less, residual voltage 1 V (2 V) or less, N.O./N.C. selectable Max. 50 mA/ch *1				
	Response time (judgement output)	1.96 to 4031.72 ms *2				
	Edge check output (selectable between NPN and PNP)	NPN (PNP) open collector x1ch, 30 VDC (Power supply voltage) or less, residual voltage 1 V (2 V) or less, N.O./N.C. selectable Max. 50 mA, *1 response time 20 ms				
	Analog output (selectable among ±5V, 1-5 V, 0-5 V, 4-20 mA)	Output range			Voltage output	Current output
		±5 V (full scale 10 V)			4-20 mA (full scale 16 mA)	
		Output resistance			100 Ω	—
		Maximum load resistance			—	350 Ω
		Repetition accuracy			±1 mV	±1.5 μA
		Display accuracy			±0.05 % of F.S.	±0.25 % of F.S.
		Temperature characteristics			±0.005 % of F.S./°C	±0.01% of F.S./°C
Update cycle			Same as sensor head sampling cycle			
Response time			Same as Response time (judgement output)			
Time constant *3			10 μs (90 % response)	30 μs (90 % response)		
Input	Gain input	Input time: 20 ms or more, Response delay time: 120 ms or less (Nonvolatile memory (EEPROM) 1.5 s or less)				
	Reset input	Input time: 20 ms or more, Response delay time: 20 ms or less				
	Timing input	Input time: 2 ms or more, Response delay time: 2 ms or less				
	Zero shift input	Input time: 20 ms or more, Response delay time: 20 ms or less				
	Bank A input/Bank B input	Input time: 20 ms or more, Response delay time: 20 ms or less *2				
	Laser emission stop input	Input time: 2 ms or more, Response delay time: 2 ms or less				
Environment resistance	Ambient temperature	-10 to +50°C 14 to 122F° (No freezing)				
	Ambient humidity	35 to 85%RH (No condensation)				
	Vibration resistance	10 to 55 Hz Double amplitude 1.5 mm 0.06" XYZ each axis: 2 hours				
	Pollution degree	2				
Material	Main unit case/Front sheet: Polycarbonate, Key top: Polyacetal, Cable: PVC					
Supplied item	Main body × 1, Instruction manual × 1 (only for main unit)		Main body × 1, Panel mounting bracket × 1, Front protection cover × 1, Power supply and input/output cable (2 m 0.08") × 1, Expansion cable (50 mm 1.97") × 1 (only for expansion unit), Instruction manual × 1 (only for main unit)			
Weight (including supplied items)	Approx. 150 g	Approx. 140 g	Approx. 170 g	Approx. 165 g		

*1 When expansion units are added: Max. 20 mA/ch

*2 For more details, refer to the User's Manual.

*3 Delay time that occurs from the analog output circuit after the judgment is output.

Communication unit (Common specifications)

Model		DL-RB1A	DL-RS1A
Appearance			
Power supply voltage		20 to 30 VDC, including ripple, Ripple (P-P): 10% max. (Supplied via connected sensor amplifier)	
Power consumption (including analog current output)		27 mA max.	25 mA max.
Number of connectable sensor amplifiers		Up to 4 units (including main unit) *1	
Indicator		Alarm indicator lamp (red), Power indicator lamp (green)	Communication indicator lamp (green × 2), Alarm indicator lamp (red), Power indicator lamp (green)
Communication method		—	Full duplex
Synchronization method		—	Start-stop
Transmission code		—	ASCII
Baud rate		—	2400/4800/9600/19200/38400 bps selectable (Factory-setting: 9600 bps)
Data bit length		—	8 bits/7 bits selectable (Factory-setting: 8 bits)
Parity check		—	None/Even/Odd selectable (Factory-setting: None)
Stop bit length		—	1 bit
Data delimiter		—	Data reception: automatically recognizes CR or CR+LF Data transmission: Fixed to CR+LF
Environment resistance	Ambient temperature	-10 to +55°C 14 to 131F° (No freezing)	
	Ambient humidity	35 to 85%RH (No condensation)	
	Vibration resistance	10 to 55 Hz Double amplitude 1.5 mm 0.06" XYZ each axis: 2 hours	
Material		Main unit case/Front sheet: Polycarbonate	
Weight		Approx. 46 g	Approx. 53 g
Supplied item		Instruction manual, End units × 2, Switch protection seal, Expansion connector cover	

*1 A single communication unit can retrieve data from up to 4 display units.

*2 DL-RS1A units purchased before July 14, 2009 cannot be used.

Dimensions

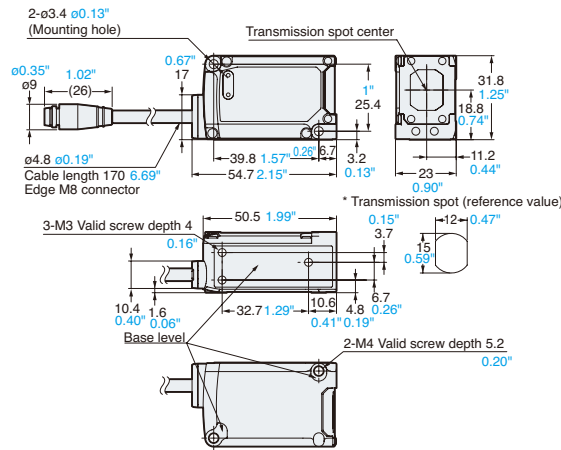
Unit : mm inch

Sensor head

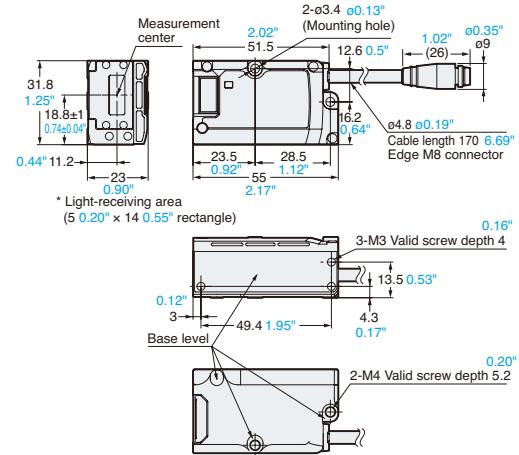
IG-010



Transmitter



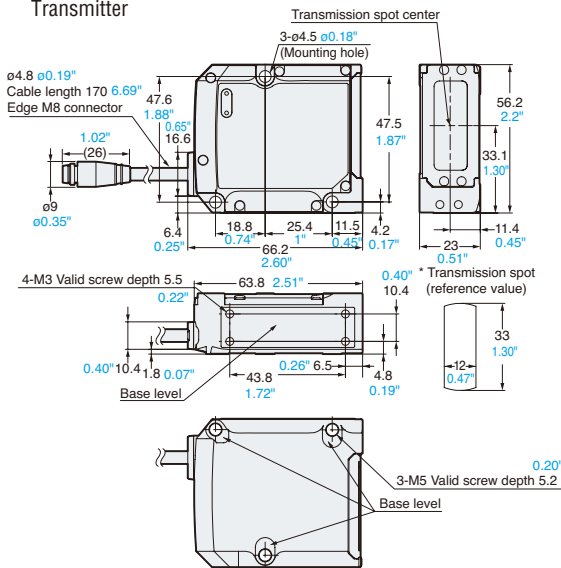
Receiver



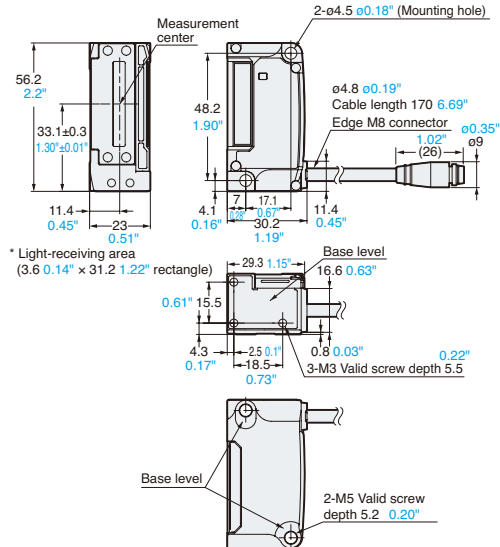
IG-028



Transmitter

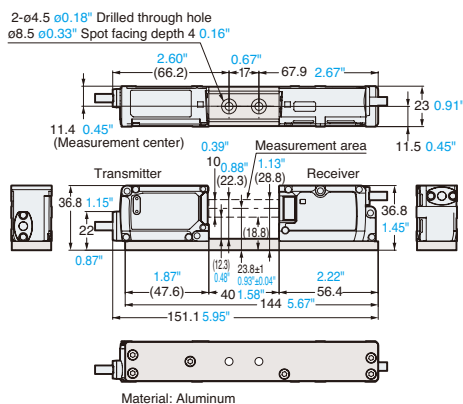


Receiver

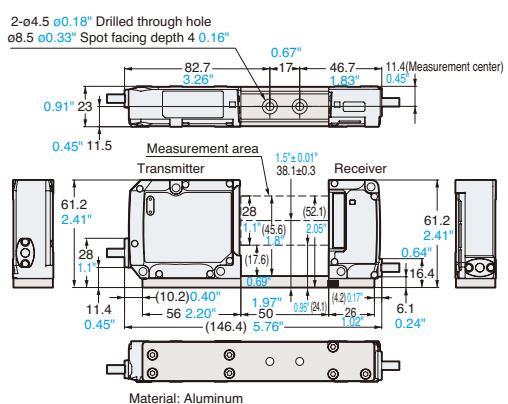


Sensor head mounting bracket

IG-TB01 + IG-010



IG-TB02 + IG-028

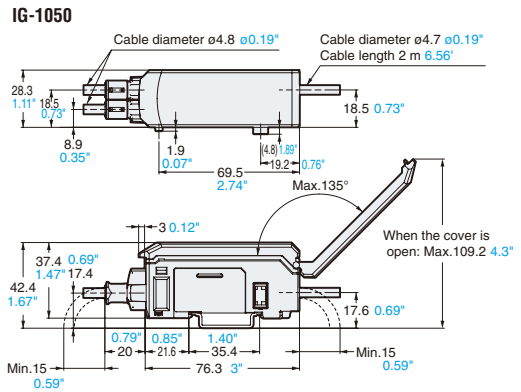
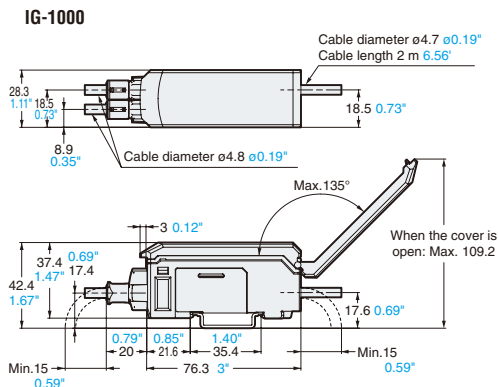


Dimensions

Unit : mm inch

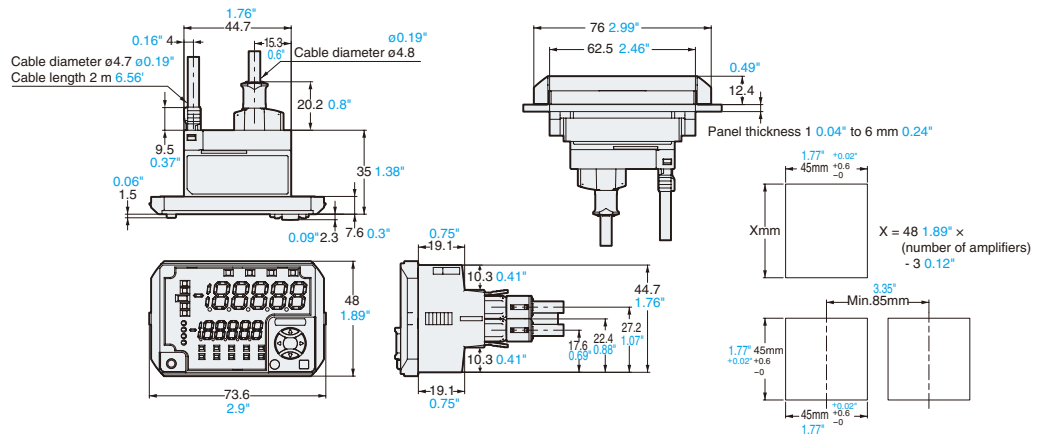
Sensor amplifier (DIN rail mount type)

IG-1000/IG-1050



Sensor amplifier (Panel mount type)

IG-1500/IG-1550

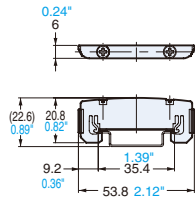


Notes on connecting a panel mount type expansion unit

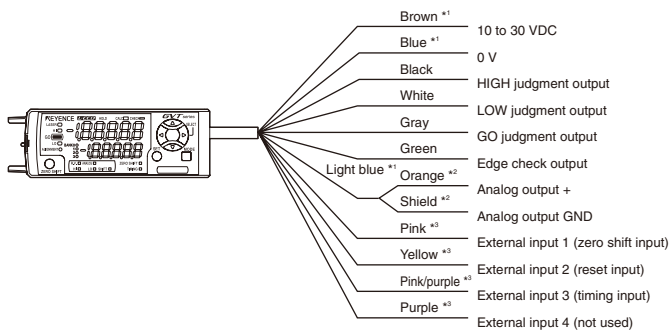
Place the main unit in the top position, and bring the expansion unit into contact with the main unit vertically. For horizontal connection of the panel mount type, the optional expansion cable OP-35361 (300 mm) 11.8" type is required.

End unit (Optional) (2 pcs.)

OP-26751



Wiring Diagram

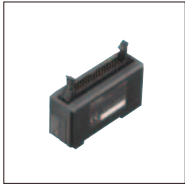


*1 The brown, blue, and light blue cables are not provided in a IG-1050/IG-1550 unit (expansion unit). The power is supplied to the expansion unit from the IG-1000/IG-1500 unit (main unit).
 *2 For an analog output, OFF (not used), 0 to 5 V, ±5 V, 1 to 5 V, or 4 to 20 mA can be selected.
 *3 For an external input, bank A input, bank B input, laser emission stop input, or OFF (not used) can also be selected.
 For external input 4, gain input can also be selected.
 For details, refer to the User's Manual.

Dimensions

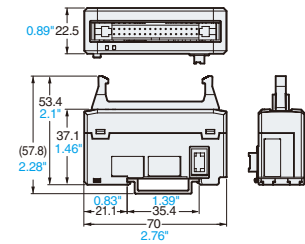
Communication unit (BCD output type)

DL-RB1A

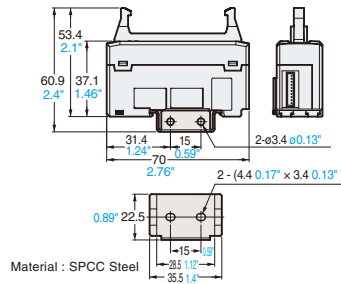


34-pin MIL connector

DIN-rail mount



When the mounting bracket is attached OP-60412 (Optional)

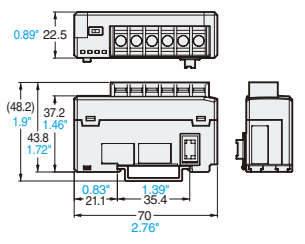


Communication unit (RS-232C communication type)

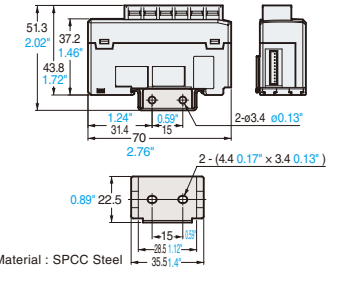
DL-RS1A



DIN-rail mount

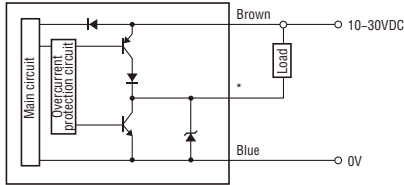


When the mounting bracket is attached OP-60412 (Optional)



Judgment output/edge check output

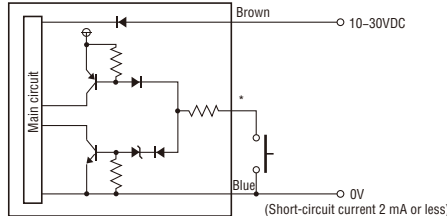
When NPN output is selected



* Black (HIGH judgement output) / White (LOW judgement output) / Gray (GO judgement output) / Green (edge check output)

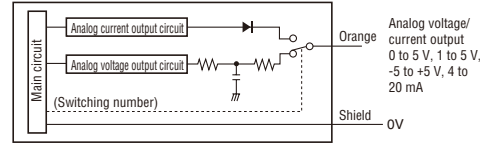
Input

When NPN output is selected

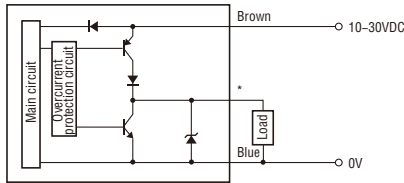


* Pink (External input 1)/Yellow (External input 2) / Pink-Purple(External input 3)/ Purple (External input 4)

Analog current/voltage output

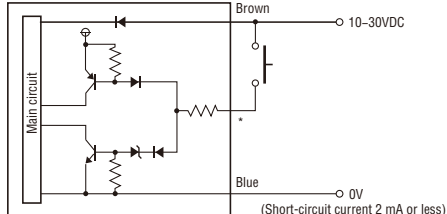


When PNP output is selected



* Black (HIGH judgement output) / White (LOW judgement output) / Gray (GO judgement output) / Green (edge check output)

When PNP output is selected



* Pink (External input 1)/Yellow (External input 2) / Pink-Purple(External input 3)/ Purple (External input 4)



CALL TOLL FREE

TO CONTACT YOUR LOCAL OFFICE
1-888-KEYENCE
1 - 8 8 8 - 5 3 9 - 3 6 2 3

www.keyence.com



SAFETY INFORMATION

Please read the instruction manual carefully in order to safely operate any KEYENCE product.

KEYENCE CORPORATION OF AMERICA

Corporate Office 50 Tice Blvd., Woodcliff Lake, NJ 07677 PHONE: 201-930-0100 Fax: 201-930-0099 E-mail: keyence@keyence.com

Regional offices	CO Denver	IN Indianapolis	MI Detroit	NJ Woodcliff Lake	OH Cincinnati	SC Greenville	VA Richmond
AL Birmingham	FL Tampa	KS Kansas City	MI Grand Rapids	NY Rochester	OH Cleveland	TN Nashville	WA Seattle
CA N. California	GA Atlanta	KY Louisville	MN Minneapolis	NC Charlotte	OR Portland	TN Knoxville	
CA Los Angeles	IL Chicago	MA Boston	MO St. Louis	NC Raleigh	PA Philadelphia	TX Dallas	

KEYENCE CANADA INC.

Head Office PHONE: 905-696-9970 Fax: 905-696-8340 E-mail: keyencecanada@keyence.com
Montreal PHONE: 514-694-4740 Fax: 514-694-3206

KEYENCE MEXICO S.A. DE C.V.

PHONE: +52-81-8220-7900 Fax: +52-81-8220-9097
E-mail: keyencemexico@keyence.com

KEYENCE GLOBAL HEADQUARTERS

1-3-14, Higashi-Nakajima, Higashi-Yodogawa-ku, Osaka, 533-8555, Japan PHONE: +81-6-6379-2211

The information in this publication is based on KEYENCE's internal research/evaluation at the time of release and is subject to change without notice.
Copyright (c) 2009 KEYENCE CORPORATION. All rights reserved. IG-KA-C-E 1040-3 [611275] Printed in Japan

