

Wetguard® Single Flanged Inlets with Cover
Wetguard® Single and Duplex Flanged Outlets with Cover
Wetguard® Replacement Covers



IP66 Suitability - NEMA Type, 4, 4X, & 12 when used with Leviton Wetguard® Boxes

PK-93737-10-00-0A

INSTALLATION

ENGLISH

WARNING AND CAUTIONS:

- TO BE INSTALLED AND/OR USED IN ACCORDANCE WITH ELECTRICAL CODES AND REGULATIONS.
- IF YOU ARE UNSURE ABOUT ANY PART OF THESE INSTRUCTIONS, CONTACT AN ELECTRICIAN.
- USE THIS DEVICE WITH **COPPER WIRE ONLY**.

TO INSTALL

NOTE: For installation of single flanged inlets and outlets with covers, and duplex flanged outlets with covers onto Leviton FD boxes Cat Nos: **FDBX1** (single gang), **FDBX2** (2-gang) and **FDBX3** (3-gang).

NOTE: All boxes have a pre-assembled stainless steel grounding plate installed in each gang. Stainless steel plate is NOT required and must be removed when installing a duplex flanged outlet with cover by removing the four screws holding plate in place (see Fig.1).

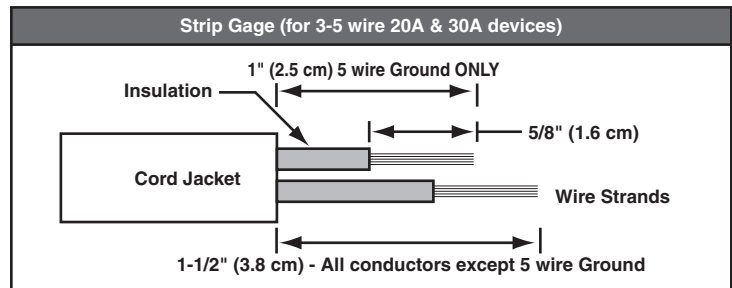
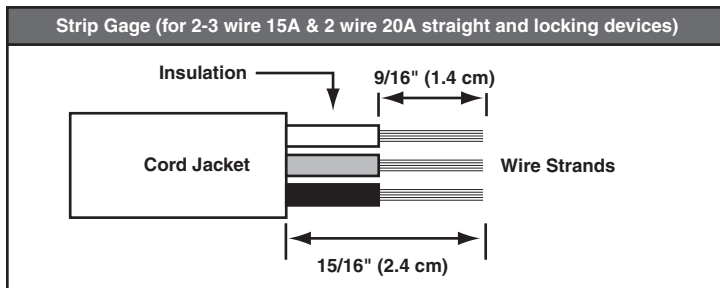
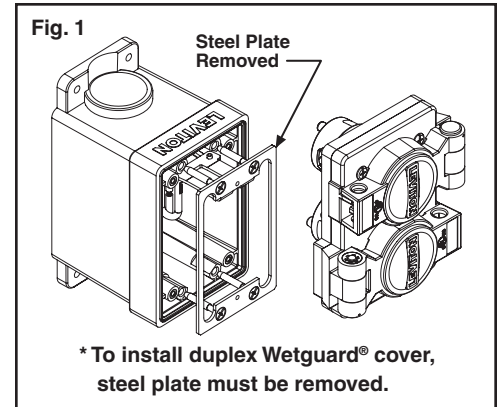
NOTE: Inlets and outlets are pre-assembled into mounting cup(s). It is not required to remove inlet/outlet from mounting cup to wire.

WARNING: TO AVOID FIRE, SHOCK, OR DEATH; **TURN OFF POWER** AT CIRCUIT BREAKER OR FUSE AND TEST THAT THE POWER IS OFF BEFORE WIRING!

1. Mount FD box as per appropriate wiring instructions enclosed with box.

2. To wire inlets/outlets use stranded wire ONLY. Strip wires as per wire gage shown below. **DO NOT USE SOLID WIRE. DO NOT TIN CONDUCTORS.**

NOTE: If installing a duplex outlet, stainless steel grounding plate **must be removed** to mount device. Remove the four screws holding plate in place.



3. **Connect wires:** Fully back out all terminal screws from wiring clamps. Twist the strands of each stripped conductor tightly together, and insert into proper wire well (see chart below). Tighten terminal screws firmly to 12-14 in.-lbs. torque. CHECK FOR STRAY WIRE STRANDS. Repeat for all conductors.

NOTE: Where applicable, it is suggested to connect GROUND wire first.

CAUTION: WIRING CLAMPS **MUST** CONTACT ONTO BARE CONDUCTOR ONLY, **NOT** ON INSULATION.

NOTE: Polarity of wiring for NEMA devices is identified by markings on device and/or screw color as shown below. For polarity of wiring for NON-NEMA devices refer to device(s) to be replaced for specific wiring pattern.

Marking on NEMA device	NEMA screw color	Conductor color
G, GRND, GREEN, or EQ GR	(Grounding) GREEN	Bare, Green, or Green/Yellow wire
W, or White	(Neutral) SILVER	White or Gray wire
X, Y, Z, or BLANK	(Hot) BRASS or BLACK	Black, Red, Blue or any other than White, Green, Gray, Green/Yellow, or Bare wire

4. Mount wired device onto Leviton FDBX1, FDBX2 or FDBX3 box.

5. Tighten enclosed cover screws to 10-12 in.-lbs of torque.

6. Restore power at circuit breaker or fuse. **INSTALLATION IS COMPLETE.**

FOR INSTALLATION OF REPLACEMENT COVERS (Fig. 2)

WARNING: TO AVOID FIRE, SHOCK, OR DEATH; **TURN OFF POWER** AT CIRCUIT BREAKER OR FUSE AND TEST THAT THE POWER IS OFF BEFORE INSTALLING REPLACEMENT COVER!

NOTE: Replacement covers are to be used with Leviton devices as shown in **Charts A-D** on reverse side.

1. Remove existing Wetguard® cover and cover screws.

2. Remove existing rubber gasket from back of inlet/outlet cup by pulling on corner(s) to dislodge gasket.

3. Separate screws and gasket from new replacement Wetguard® cover.

4. Place new rubber gasket onto inlet/outlet cup by pressing on each corner so that inlet/outlet cup frame snaps securely into back of gasket.

5. Mount inlet/outlet cup with new rubber gasket onto box.

6. Mount new Wetguard® cover onto box and tighten enclosed cover screws to 10-12 in.-lbs of torque.

7. Restore power at circuit breaker or fuse. **INSTALLATION IS COMPLETE.**

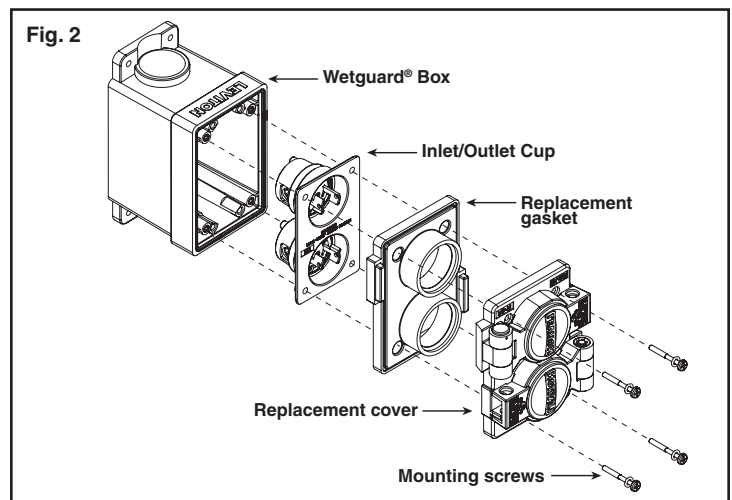


Chart A

COVER	DESCRIPTION	DEVICE	MATING DEVICE	
WTCVS-015	Replacement cover for all 15A configurations, all 20A straight blade, and 20A 2-wire locking, single flanged inlets and outlets	Single Flanged Inlet w/Cover	Connector	
		59W04	79W04-C	
		59W07	79W07-C	
		59W33	79W33-C	
		59W47	79W47-C	
		59W48	79W48-C	
		59W49	79W49-C	
		64W04	79W04-C	
		64W07	74W07-C	
		64W34	74W34-C	
		64W47	74W47-C	
		64W49	74W49-C	
		66W07	76W07-C	
			Single Flanged Outlet w/Cover	Plug
			90W04 S	14W04
			90W07 S	14W07
			90W33 S	14W33
			90W47 S	14W47
			90W48 S	14W48
			90W49 S	14W49
			95W04 S	24W04
			95W07 S	24W07
			95W34 S	24W34
			95W47 S	24W47
			95W49 S	24W49
			97W07 S	26W07

Chart C

COVER	DESCRIPTION	DEVICE	MATING DEVICE	
WTCVS-030	Replacement cover for 30A single flanged inlets and outlets	Single Flanged Inlet w/Cover	Connector	
		68W03	78W03-C	
		68W08	78W08-C	
		68W09	78W09-C	
		68W47	78W47-C	
		68W48	78W48-C	
		68W49	78W49-C	
		68W74	78W74-C	
		68W75	78W45-C	
		68W76	78W76-C	
		68W77	78W77-C	
		68W81	78W81-C	
		68W820	78W82-C	
			Single Flanged Outlet w/Cover	Plug
			99W08 S	28W08
			99W09 S	28W09
			99W47 S	28W47
			99W48 S	28W48
			99W49 S	28W49
			99W74 S	28W74
			99W75 S	28W75
			99W76 S	28W76
			99W77 S	28W77
			99W81 S	28W81
			99W82 S	28W82
			99W83 S	28W83

Chart B

COVER	DESCRIPTION	DEVICE	MATING DEVICE	
WTCVS-020	Replacement cover for 20A, 3-5 wire, locking single flanged inlets and outlets	Single Flanged Inlet w/Cover	Connector	
		59W33	79W33-C	
		59W48	79W48-C	
		66W07	76W07-C	
		66W08	76W08-C	
		66W09	76W09-C	
		66W10	76W10-C	
		66W47	76W47-C	
		66W48	76W48-C	
		66W49	76W49-C	
		66W74	76W47-C	
		66W75	76W75-C	
		66W76	76W76-C	
		66W81	76W81-C	
		66W82	76W82-C	
		66W83	76W83-C	
		68W29	78W29-C	
			Single Flanged Outlet w/Cover	Plug
			90W33 S	14W33
			90W48 S	14W48
			93W07 S	22W07
			97W07 S	26W07
			97W08 S	26W08
			97W09 S	26W09
			97W10 S	26W10
			97W47 S	26W47
			97W48 S	26W48
			97W49 S	26W49
			97W74 S	26W74
			97W75 S	26W75
	97W76 S	26W76		
	97W81 S	26W81		
	97W82 S	26W82		
	97W83 S	26W83		

Chart D

COVER	DESCRIPTION	DEVICE	MATING DEVICE
WTCVD	Replacement cover for 15/20A duplex flanged outlets	Duplex Flanged Outlet w/Cover	Plug
		80W04 D	14W04
		80W07 D	14W07
		80W47 D	14W47
		80W49 D	14W49
		85W04 D	24W04
		85W07 D	24W07
		85W34 D	24W34
		85W47 D	24W47
		85W49 D	24W49
		87W07 D	26W07

These products are covered by Patents: U.S. 5,863,221, CA 2,243,838 and MX 225,136

LIMITED LIFETIME WARRANTY AND EXCLUSIONS

Leviton warrants to the original consumer purchaser and not for the benefit of anyone else that this product at the time of its sale by Leviton is free of defects in materials and workmanship under normal and proper use during the lifetime of the product. Leviton's only obligation is to correct such defects by repair or replacement, at its option, if the product is returned prepaid, with proof of purchase date, and a description of the problem to **Leviton Manufacturing Co., Inc., Att: Quality Assurance Department, 201 North Service Road, Melville, N.Y. 11747**. This warranty excludes and there is disclaimed liability for labor for removal of this product or reinstallation. This warranty is void if this product is installed improperly or in an improper environment, overloaded, misused, opened, abused, or altered in any manner, or is not used under normal operating conditions or not in accordance with any labels or instructions. There are no other or implied warranties of any kind, including merchantability and fitness for a particular purpose. Leviton is not liable for incidental, indirect, special, or consequential damages, including without limitation, damage to, or loss of use of, any equipment, lost sales or profits or delay or failure to perform this warranty obligation. The remedies provided herein are the exclusive remedies under this warranty, whether based on contract, tort or otherwise.