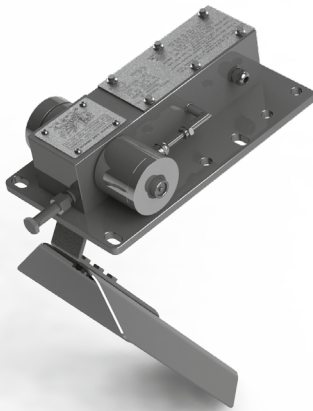


## DLS-001 'Dragon' - Stainless Steel Mud Flow Return Sensor / Transmitter



Part Number: DLS - 001

4...20 mA 2 wire current loop output

Zone 0 Ex ia IIC Certified

Precision:  
8 absolute bits / 256 steps  
per the 90 degrees within 16mA  
equivalent to:  
1 degree has 0.177mA  
0.177mA has 2.84 steps



*"obviously far superior" according to customers*

### Technical Data

Operating temp: - 20 ...+ 60 degrees C  
- 4 ...+ 140 degrees F  
Certification: ATEX, IECEx, CSA  
Weight: 26 lbs (12 kg)  
Protection: IP 66 / X7 M  
Material Encoder: Stainless Steel  
Material Chassis: Stainless Steel  
Material Paddles: Stainless Steel  
Material Spring: Stainless Steel  
Pressure rating: 5 bar

### Paddle's for Following Pipe Sizes

Small Paddle 7.75" to 9.75" Ø  
200 to 250mm Ø  
Medium Paddle 10.75" to 14" Ø  
275 to 355 Ø  
Large Paddle 15.75" to 17.75" Ø  
400 to 450mm Ø

*Paddles can be Tungsten Coated as an Option  
Different Shape and Size Paddles available*

### Certification

IP 66 and Ex ia IIC T4  
ATEX [\[Certificate\]](#)  
IECEx [\[Certificate\]](#)  
CSA [\[Certificate\]](#)  
GOST (CU) [\[Certificate\]](#)

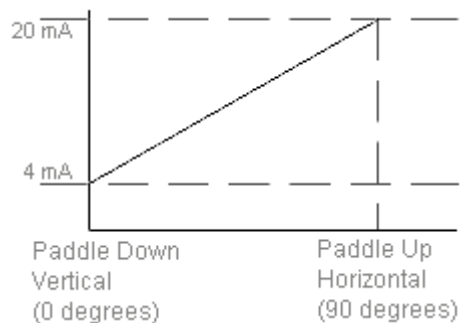
Best suited to work with the following MTL isolator: [MTL5541](#)

### Connection Options

**Cable (available as wireless or with connector as well)**  
+ Loop Red (+ Current)  
- Loop Black (- Current)

### Output Limits

When the paddle is down (vertical), the output is 4mA  
When the paddle is up (horizontal), the output is 20mA

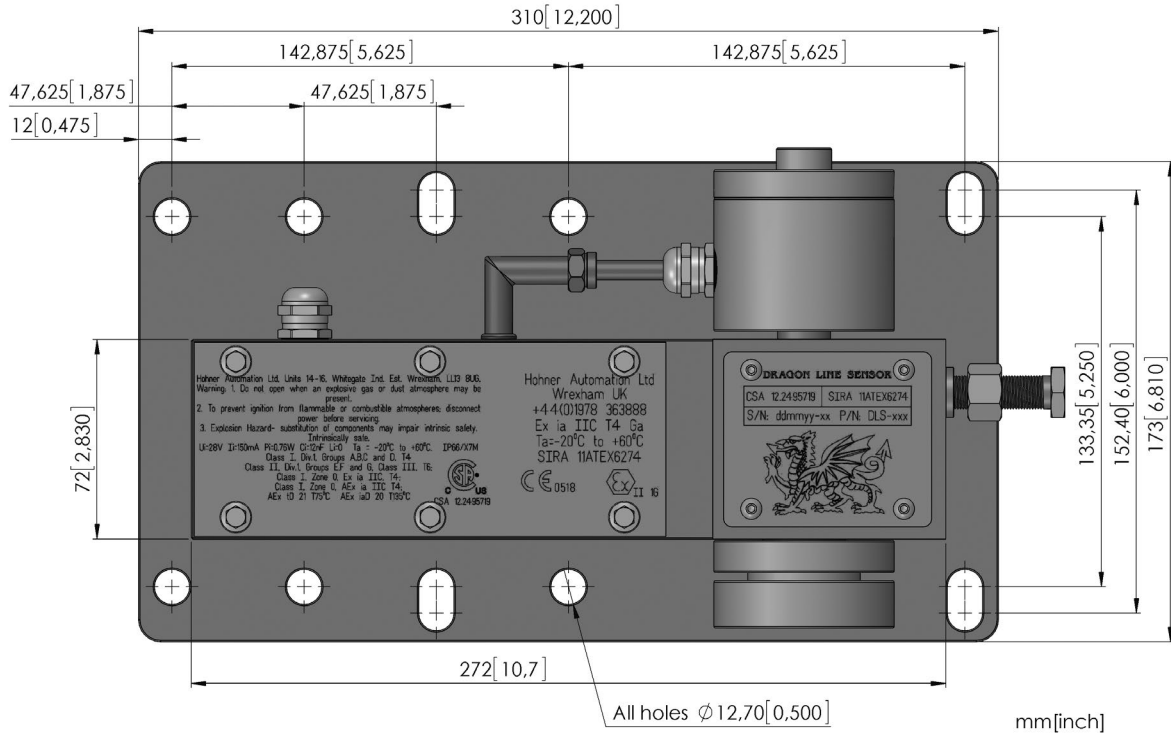


### Special Options

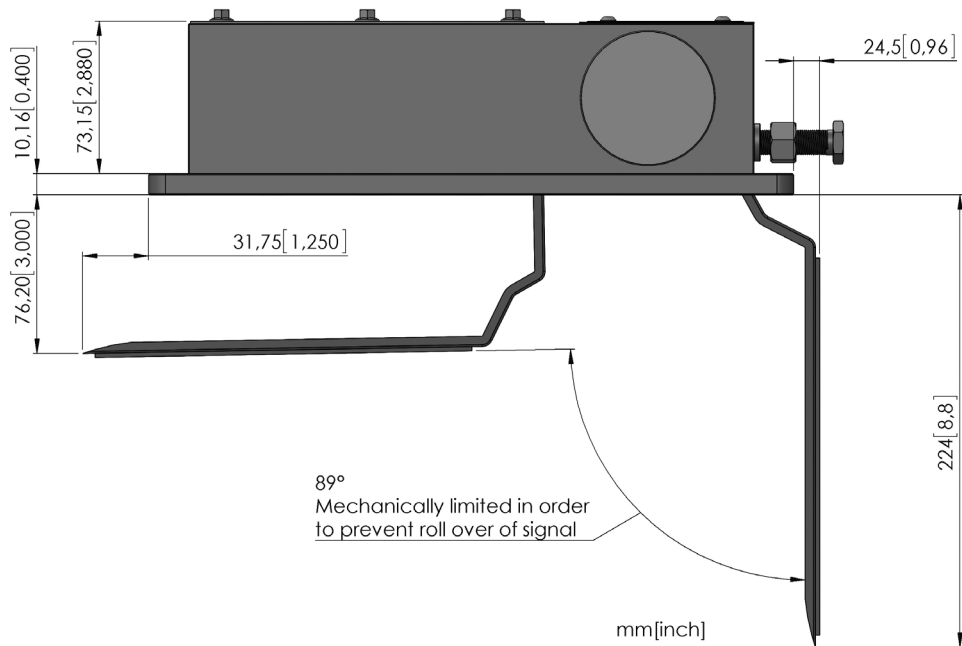
-Different connectors and or cable glands  
-Different mounting hole arrangements on base plates

## Dimensions

- [Top View \(PDF\)](#)



- [Side View \(PDF\)](#)



- Front View (PDF)

