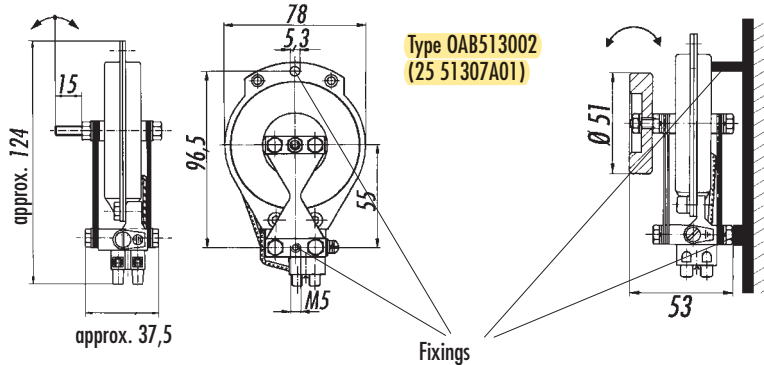


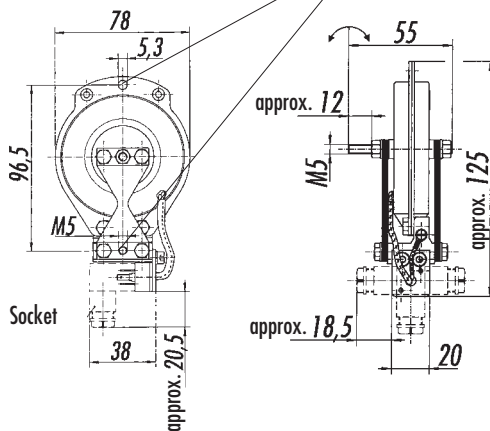
## Dimensions (mm)

Type OAB513001  
(25 51307A00)



Type OAB513002  
(25 51307A01)

Type OAB513003  
(25 51607A00)



Fixings

Socket

## Type OAB513002



can be used as vibrator when additional weight is fitted

## Options/accessories

plug-in connector to  
DIN EN 175301-803 (DIN 43650)  
form C, additional weight see page 15

## Example of order

OAB513002  
230 VAC, 50 Hz  
with plug-in connection

## Technical specification

The values apply when the housing is fixed to a relatively large mass.  
Additional weights > 150 g should be avoided because otherwise the maximum permissible vibration amplitude is exceeded.

Size Type	Max. permissible vibration amplitude	Vibration amplitude without additional weight 150 g	Vibration amplitude with additional weight 150 g	Apparent power	Armature weight	Total weight without additional weight
	s (mm)	s (approx. mm)	s (approx. mm)	$P_s$ (VA)	$m_A$ (kg)	m (kg)
OAB513001/25 51307A00	4.5	1.5		21	0.13	0.52
OAB513002/25 51307A01	4.5		4 - 4.5	21	0.13	0.67
OAB513003/25 51607A00	4.5	1.5		21	0.13	0.55

When using these devices, please read "The Technical Background" and the "General Technical Information" (see page 14) first.

**Standard rated voltage:** 230 V AC, 50 Hz

**Class of protection:** device IP 20, connection IP 00

**Insulation class:** E

We recommend our control type OCS 33 43303B00 or 33 43304B00 for the individual tuning of the vibration amplitude.

**We reserve the right to make changes to the product design.**

**Please note ordering data!**

## Vibrators

for single-phase alternating current

These vibrators in flat form are AC oscillating drives with permanent pre-magnetisation in which the force effect of an electromagnetic alternating field is used to generate a curving oscillatory motion. The oscillating frequency is equal to the mains frequency.

## CE

The electromagnetic products from Kendrion Magnettechnik are components for incorporation and operation in electrical equipment and devices. They therefore do not fall within the remit of the Low Voltage Directive 73/23/EEC. The user must ensure conformity with the EMC Directive 89/336/EEC by using corresponding switching devices or controls. When using the recommended Kendrion accessories, conformity with the EMC Directive is stated on the respective data sheets.

The products are manufactured and tested according to DIN VDE 0580 (July 2000).