

NOTICE: INFORMATION HEREIN PRESENTED IS CONFIDENTIAL PROPRIETARY INFORMATION OF HUSCO. ANY PERSON ACCEPTING THIS INFORMATION IS REQUIRED TO ACCEPT THE SAME IN CONFIDENCE. TO AGREE TO MAKE NO DISCLOSURE, USE, OR DUPLICATION THEREOF EXCEPT AS AUTHORIZED BY HUSCO AND TO RETURN THE SAME ON REQUEST.

REV	ECN No.	DATE	NAME/CHGR
E1-2	E35758	25OCT99	CRC RCB
E02	NOW PRO-E	31 JAN01	SJH CWG
F02	E39677	12JUN06	JHH JAJ

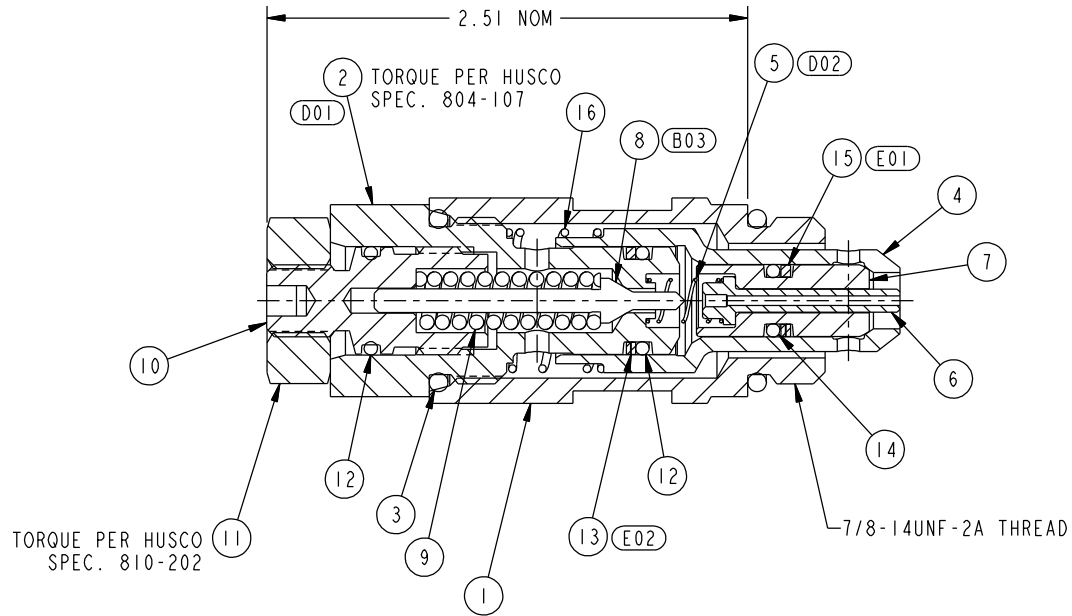
(F01)

ASSEMBLY NOTES:

COIN 52051-1 TO 52055-1
& 52053 TO 52050-2
WITH 60 SETTING AT 140V.
ONE TIME
SET RELIEF VALVE PER SPEC.
ON FINAL VALVE ASSY. DWG.
AND T-1017

NOTES:

LUB. SEALS PER HUSCO SPEC. 851-101
RECOMMENDED PRESSURE: 1500 PSI TO 5000 PSI
STAMP 5623 NAME TAG PER HUSCO SPEC. 852-107



16	52059	1	SPRING
15	59520-B	1	BACK-UP RING
14	43-010	1	O-RING
13	59521-B	1	BACK-UP RING
12	43-013	2	O-RING
11	51539-1	1	NUT-SPECIAL
10	5065-7	1	SCREW-ADJUST
9	52062	1	SPRING
8	52053	1	POPPET-R.V.
7	52051-1	1	POPPET-R.V.
6	52052-1	1	PISTON-R.V.
5	59516	1	SPRING
4	52055-1	1	POPPET-R.V.
3	53-910	1	O-RING
2	52050-2	1	PLUG-R.V.
1	400490	1	BODY ASSY.-R.V.
IDX	PART No.	QTY	DESCRIPTION

(F02)

CONTAINS ALL
VITON O-RINGS

SEAL & SPRING KIT: 55321 (B02)

ENGINEERING REF. NOTE:
TORQUE RELIEF VALVE INTO VALVE
HOUSING PER HUSCO SPEC. 805-101

(C00) (B01) (A01)

DIMENSIONS ARE IN INCHES		SCALE	2:1	THIRD ANGLE PROJECTION		HUSCO INTERNATIONAL WAUKESHA, WISCONSIN USA	
UNLESS OTHERWISE SPECIFIED, DETAILS TO BE MANUFACTURED IN ACCORDANCE WITH: HUSCO SPEC. 100-101		DATE	31 JAN01	DRAWN BY		SJH	
UNTOLERANCED DIMENSIONS ON ASSY. DWG. ARE FOR REF. ONLY		CHKD BY	CWG	APPRD BY	GFD	NAME	
		DRAWING SIZE	C	CINCAD SYMBOL	Y	RELIEF VALVE ASSY.	
MATERIAL		ORIG DOC	W18600	EXP NO	AX6411-8		
HEAT TREAT		ECN NO	E39677	PART NO	51650-2		
PLATING				REV/ISS	F02		
			HUS PRO/E	(A00)	SHEET 1 OF 1		